

STANDARD CUBIC ANVIL

*H. Tracy Hall* 11 JAN 1966

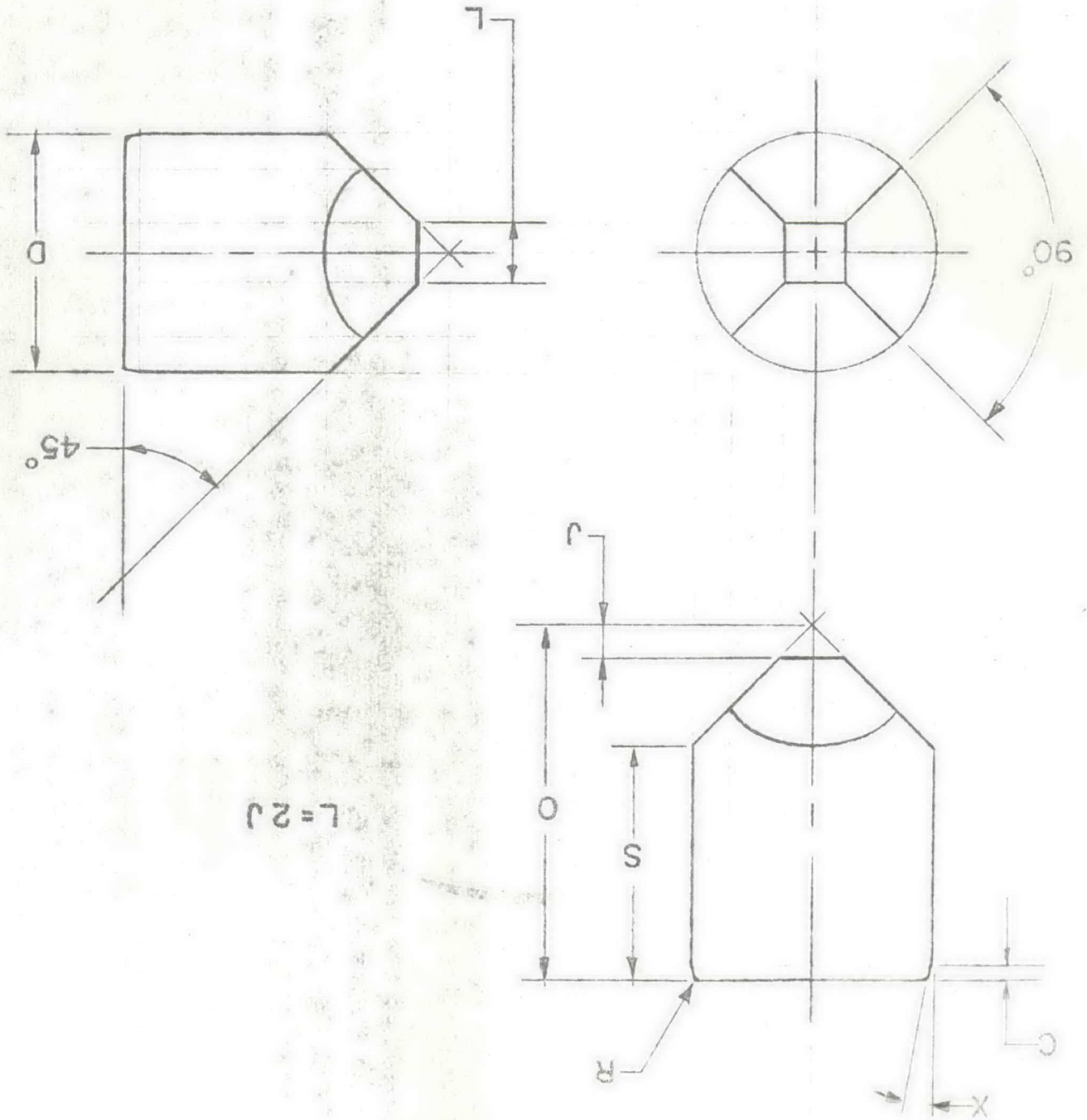
CONFIDENTIAL  
 THIS DOCUMENT IS SUBJECT TO CONTROL

40003977

STANDARD CUBIC ANVIL  
N. Gray Hall 11 JAN 1966

40003978

THIS DOCUMENT IS SUBJECT TO COMH ORDER



$L = 2J$

THIS DOCUMENT IS SUBJECT TO COURT ORDER

40003979

$$\begin{aligned}
 R &= .010^{\circ}R \\
 X &= 4-8^{\circ} \\
 C &= 1/16"
 \end{aligned}$$

$$D = 1.5000 \pm 0.0005 "$$

$$J = L/2$$

$$S = 1.250'$$

$$O = 2.000 " \pm 0.001 "$$

	.500
	.9375
	.625
	.375
	.1875
J	.3125
	.46875
	.250

Standard Curve Curve

A.J. Hall 11 Jan 1966